

1

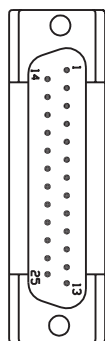
2

3

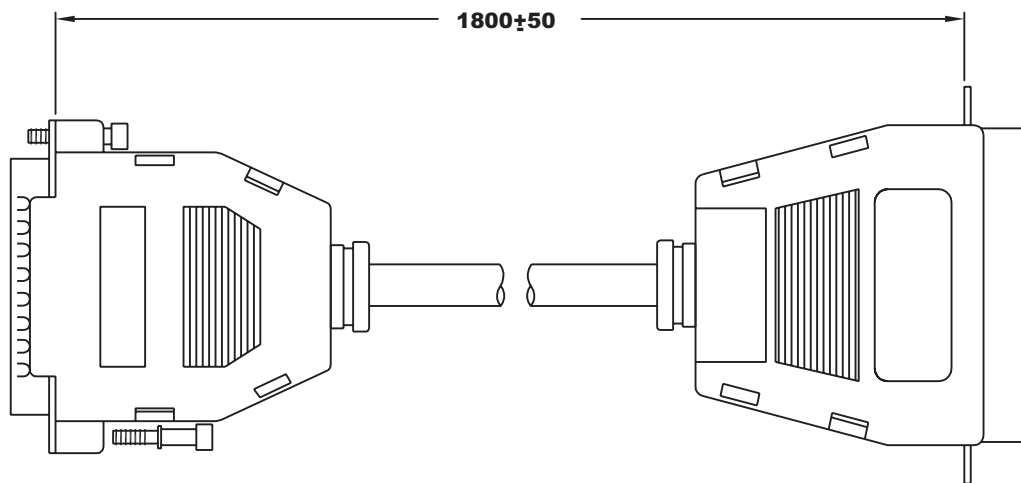
4

A

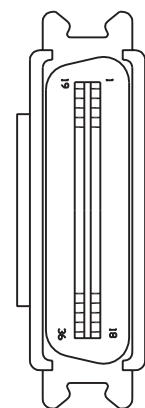
DB25 Male



B



CN36 Male



A

B

C

Material:

- 1.Cable: #28 25C+1+AL/MY O.D:6.5
- 2.Connector:DB25M, Blue
CN36M, Blue
- 3.Screw: #4-40UNC
- 4.Snap Hood: DB25, Beige
CN36, Beige

Notes:

- 1.Total Length: 1800±50mm
- 2.Color: Beige
- 3.Assembly Type

Configuration:

DB25M	CN36M
1 _____	1 _____
2 _____	2 _____
3 _____	3 _____
4 _____	4 _____
5 _____	5 _____
6 _____	6 _____
7 _____	7 _____
8 _____	8 _____
9 _____	9 _____
10 _____	10 _____
11 _____	11 _____
12 _____	12 _____
13 _____	13 _____
14 _____	14 _____
15 _____	32 _____
16 _____	31 _____
17 _____	36 _____
18 _____	33 _____
19 _____	19 _____
20 _____	21 _____
21 _____	23 _____
22 _____	25 _____
23 _____	27 _____
24 _____	29 _____
25 _____	30 _____
Shield _____	Shield _____

C

D

Description

Name :
AK101-1.8M-R
 DB25 Male-CN36 Male



THIS DRAWING IS UNPUBLISHED
 © Copyright 2005 by Assmann Electronic Components All International Rights Reserved
 This drawing is a controlled document for Assmann Electronics, Inc. It is subject to change and the controlling engineering organization should be contacted for the latest revision.

1

2

3

4